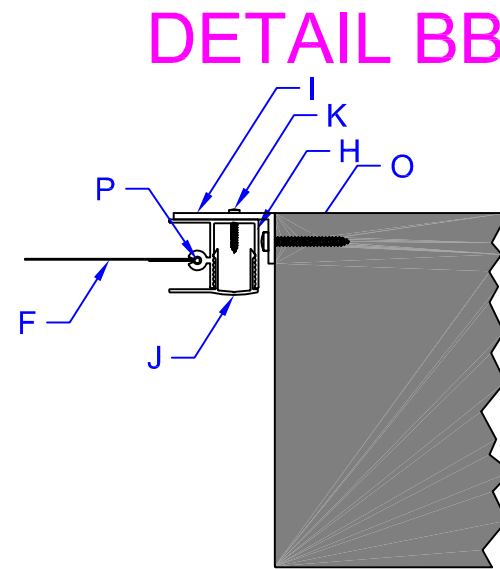
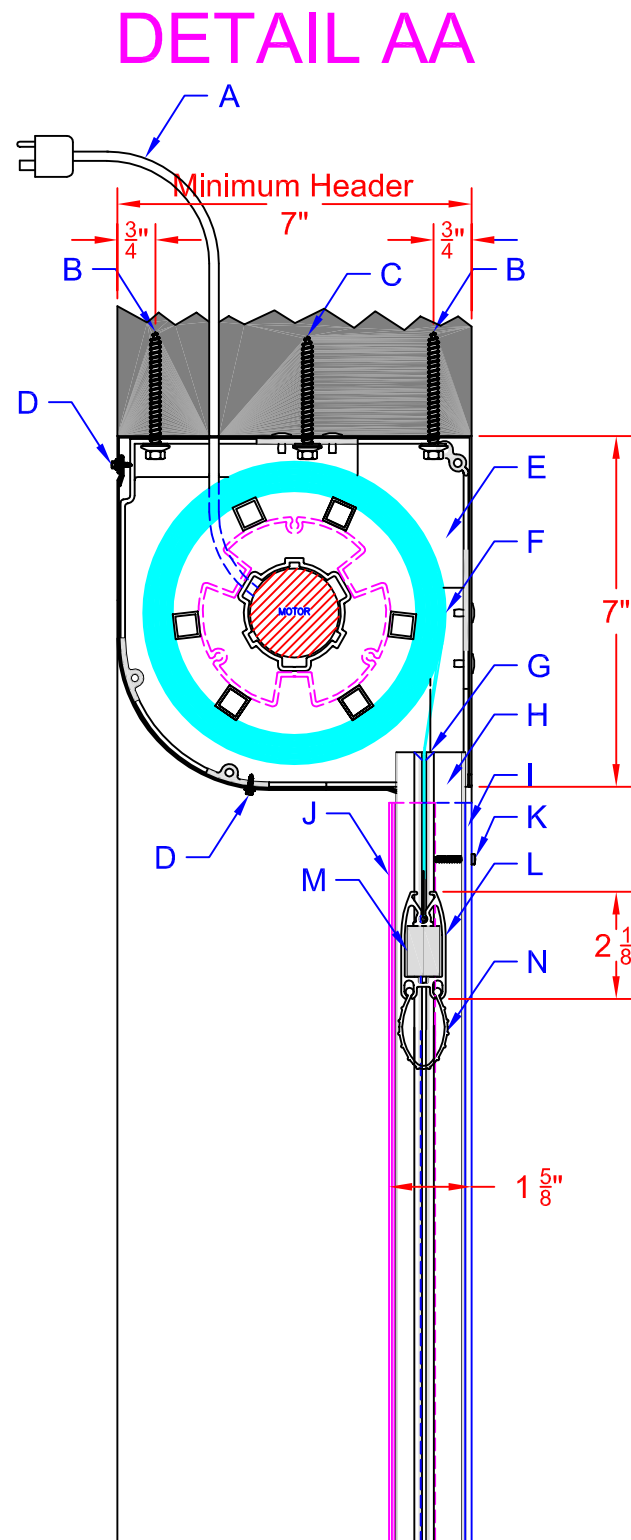
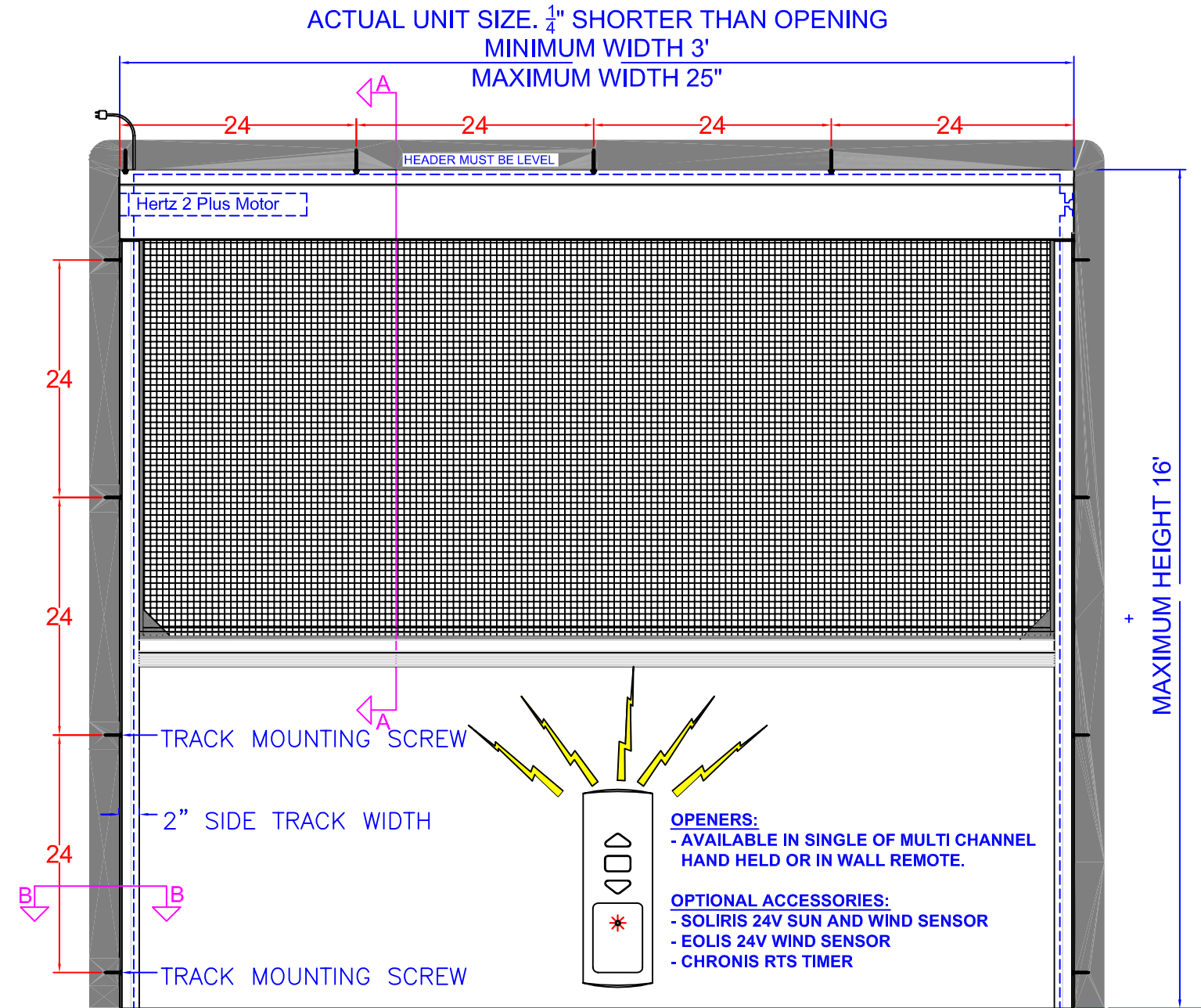


# MIRAGE MOTORIZED SCREEN 7" HOOD

IUH (INSIDE UNDER HEADER)



- A) 110 V. 6' LEAD C/W PLUG, MOTOR & PLUG CAN BE POSITIONED AT EITHER END OF SCREEN UNIT.
- B) DOUBLE INTERMEDIATE SCREWS, 24" SPACING (NOT PROVIDED 2" X #12 PAN OR HEX HEAD)
- C) SINGLE END MOUNTING SCREW, LOCATED BETWEEN RIVETS OF CAST END CAP. SCREWS (NOT PROVIDED) RECOMMEND 2" X #12 PAN OR HEX HEAD
- D) HOOD COVER SCREW (PROVIDED)
- E) CAST END CAP
- F) SCREEN MESH
- G) CHAMFERED ENTRANCE TO SCREEN TRACK
- H) SIDE TRACK
- I) 1" X 2" ANGLE
- J) SIDE TRACK COVER
- K) SIDE TRACK ADJUSTMENT SCREW (PROVIDED)
- L) WEIGHT BAR
- M) PROBE
- N) BOTTOM SEAL
- O) SIDE TRACK MOUNTING SCREW (NOT PROVIDED) RECOMMEND 2" X #12 PAN HEAD
- P) SCREEN RETENTION ZIPPER



MAXIMUM OF 2% SLOPE CAN BE ACCOMMODATE AT GROUND LEVEL

NOTE: BUILDING GENERAL CONTRACTOR IS RESPONSIBLE FOR PROVIDING ADEQUATE BACKING IN WALLS AND HEADERS TO AFFIX SCREEN UNITS TO THE BUILDING

<p>9747 199A Street, Langley, BC, Canada, V1M 2X7 Phone: 604-888-7655 info@alcoventures.com Fax: 604-888-1718 www.alcoventures.com</p>	Product Line...	PROJECT:	LOCATION:	MIRAGE MOTORIZED SCREEN			MOUNTING:			Motorized Screen
		STANDARD SCREEN APPLICATION & DETAILS	N/A	DRAWN PS PROJECT No YEAR / No			INSIDE, UNDER HEADER			7" Hood
		CLIENT: N/A		DESIGNED PS CHECKED N/A			1 DATE ISSUED FOR REVIEW			DRAWING No
				SCALE NTS CHECKED DATE			No DATE ISSUED - REVISION			IUH 7 HOOD